

UNO-PS/1AC/24DC/90W/C2LPS

Primary-switched power supply unit



Data sheet

105950_en_01

© PHOENIX CONTACT 2018-07-03

1 Description

UNO POWER power supply unit - for NEC Class 2 applications

The UNO POWER power supply unit impresses in worldwide use thanks to maximum energy efficiency. Low idling losses and the high degree of efficiency save energy.

Thanks to its high power density, the UNO POWER power supply unit is the ideal solution, particularly in compact control boxes.

Features

- Worldwide use thanks to input voltage range of 85 V AC ... 264 V AC
- Superior system availability through reliable power supply with 24 V DC
- Maximum energy efficiency thanks to optimized efficiency over the entire operating range of the power supply unit and low idling losses
- Particularly compact: 90 W of power from this narrow power supply, which is just 55 mm wide
- Output power limited < 100 W according to UL 1310 for NEC Class 2 applications
- Short-circuit-proof and idling-proof

Technical data (short form)

| | |
|----------------------------------|---|
| Input voltage range | 85 V AC ... 264 V AC |
| Mains buffering | > 25 ms (120 V AC) > 100 ms (230 V AC) |
| Nominal output voltage (U_N) | 24 V DC \pm 1 % |
| Nominal output current (I_N) | 3.75 A (-25 °C ... 55 °C) |
| Output power (P_N) | 90 W |
| Efficiency (for nominal values) | typ. 88 % (120 V AC) typ. 88 % (230 V AC) |
| Residual ripple | < 45 mV _{PP} |
| MTBF (IEC 61709, SN 29500) | > 1159000 h (40 °C) |
| Ambient temperature (operation) | -25 °C ... 70 °C > 55 °C Derating: 2.5 %/K |
| Dimensions W/H/D | 55 mm / 90 mm / 84 mm |
| Weight | 0.34 kg |



Make sure you always use the latest documentation.
It can be downloaded from the product at phoenixcontact.net/products.

| | | |
|----------|--|----|
| 2 | Table of contents | |
| 1 | Description | 1 |
| 2 | Table of contents | 2 |
| 3 | Ordering data | 3 |
| 4 | Technical data | 4 |
| 5 | Intended use | 9 |
| 6 | Structure | 9 |
| | 6.1 Device elements | 9 |
| | 6.2 Block diagram | 9 |
| 7 | Mounting | 10 |
| | 7.1 Unpacking | 10 |
| | 7.2 Mounting the power supply unit | 10 |
| | 7.3 Mounting on a DIN rail | 12 |
| | 7.4 Normal mounting position | 12 |
| 8 | Installing the power supply unit | 13 |
| | 8.1 Safety regulations and installation notes | 13 |
| | 8.2 High-voltage test (HIPOT) | 14 |
| | 8.3 Mains connection | 15 |
| | 8.4 Device connections | 15 |
| | 8.5 Connecting cables | 16 |
| 9 | Operating behavior of the power supply unit | 16 |
| | 9.1 Normal operation | 16 |
| | 9.2 Overload response | 16 |
| | 9.3 Behavior at ambient temperatures > 55°C | 16 |
| | 9.4 Behavior in the case of alternative mounting positions | 17 |
| 10 | Operating the power supply unit | 20 |
| | 10.1 Function monitoring | 20 |
| | 10.2 Operating power supply units in parallel or in series | 21 |
| 11 | Removal | 21 |
| | 11.1 Removing the power supply unit | 21 |
| | 11.2 Notes on disposal | 21 |

3 Ordering data

| Description | Type | Order No. | Pcs./Pkt. |
|--|---------------------------|-----------|-----------|
| Primary-switched UNO POWER power supply for DIN rail mounting, input: 1-phase, output: 24 V DC/90 W | UNO-PS/1AC/24DC/90W/C2LPS | 2902994 | 1 |
| Accessories | Type | Order No. | Pcs./Pkt. |
| Multi-channel electronic device circuit breaker for protecting four loads at 24 V DC in the event of overload and short circuit. With electronic locking of the set nominal currents. For installation on DIN rails. | CBMC E4 24DC/1-4A NO | 2906031 | 1 |
| Multi-channel electronic device circuit breaker for protecting four loads at 24 V DC in the event of overload and short circuit. With electronic locking of the set nominal currents. For installation on DIN rails. | CBMC E4 24DC/1-10A NO | 2906032 | 1 |
| Type 2/3 surge protection, consisting of protective plug and base element, with integrated status indicator and remote signaling for single-phase power supply networks. Nominal voltage 230 V AC/DC. | PLT-SEC-T3-230-FM-UT | 2907919 | 5 |
| Type 3 surge protection, consisting of protective plug and base element, with integrated status indicator and remote signaling for single-phase power supply networks. Nominal voltage 24 V AC/DC. | PLT-SEC-T3-24-FM-UT | 2907916 | 5 |



Our range of accessories is being continually extended, our current range can be found in the download area.

4 Technical data

| Input data | |
|---|--|
| Nominal input voltage | 100 V AC ... 240 V AC |
| Input voltage range | 85 V AC ... 264 V AC |
| Frequency range (f_N) | 50 Hz ... 60 Hz \pm 5 Hz |
| Current consumption (for nominal values) typ. | 1.8 A (100 V AC) 0.8 A (240 V AC) |
| Inrush current limitation (at 25°C) typ. | < 40 A |
| I^2t typ. | < 1.5 A ² s |
| Typical response time | < 1 s |
| Mains buffering | > 25 ms (120 V AC) > 100 ms (230 V AC) |
| Protective circuit | Transient surge protection Varistor |
| Input fuse, integrated | 3.15 A (slow-blow, internal) |
| Choice of suitable circuit breakers Characteristics B, C, D, K | 6 A ... 16 A |
| Input connection data | |
| Connection method | Screw connection |
| Conductor cross section, solid | 0.2 mm ² ... 2.5 mm ² |
| Conductor cross section, flexible | 0.2 mm ² ... 2.5 mm ² |
| Conductor cross section AWG/kcmil | 24 ... 14 |
| Stripping length | 8 mm |
| Screw thread | M3 |
| Tightening torque | 0.5 Nm ... 0.6 Nm |
| Output data | |
| Nominal output voltage (U_N) | 24 V DC \pm 1 % |
| Nominal output current (I_N) | 3.75 A (-25 °C ... 55 °C) |
| Derating | 55 °C ... 70 °C (2.5%/K) |
| Control deviation | < 1 % (change in load, static 10 % ... 90 %) < 3 % (Dynamic load change 10 % ... 90 %, 10 Hz) < 0.1 % (change in input voltage \pm 10 %) |
| Rise time | < 0.5 s (U_{OUT} (10 % ... 90 %)) |
| Residual ripple | < 45 mV _{PP} (with nominal values) |
| Connection in parallel | No |
| Connection in series | No |
| Protection against surge voltage on the output | \leq 35 V DC |
| Feedback resistance | \leq 35 V DC |

Output connection data

| | |
|-----------------------------------|---|
| Connection method | Screw connection |
| Conductor cross section, solid | 0.2 mm ² ... 2.5 mm ² |
| Conductor cross section, flexible | 0.2 mm ² ... 2.5 mm ² |
| Conductor cross section AWG/kcmil | 24 ... 14 |
| Stripping length | 8 mm |
| Screw thread | M3 |
| Tightening torque | 0.5 Nm ... 0.6 Nm |

Power consumption

| | |
|--|---------------------------------------|
| Efficiency (for nominal values) typ. | 88 % (120 V AC) / 88 % (230 V AC) |
| Maximum power dissipation in no-load condition | < 0.5 W |
| Power loss nominal load max. | < 12 W |

General data

| | |
|---|---|
| Insulation voltage input/output | 4 kV AC (type test) 3 kV AC (routine test) |
| MTBF (IEC 61709, SN 29500) | > 1159000 h (40 °C) |
| Housing material | Polycarbonate |
| Foot latch material | POM (Polyoxymethylen) |
| Inflammability class in acc. with UL 94 (housing / terminal blocks) | V0 |
| Degree of protection | IP20 |
| Protection class | II (in closed control cabinet) |
| Dimensions W/H/D | 55 mm / 90 mm / 84 mm |
| Weight | 0.34 kg |

Ambient conditions

| | |
|--|--|
| Ambient temperature (operation) | -25 °C ... 70 °C (> 55 °C Derating: 2.5 %/K) |
| Ambient temperature (storage/transport) | -40 °C ... 85 °C |
| Max. permissible relative humidity (operation) | ≤ 95 % (at 25 °C, non-condensing) |
| Vibration (operation) | < 15 Hz, amplitude ±2.5 mm (according to IEC 60068-2-6) 15 Hz ... 150 Hz, 2.3g, 90 min. |
| Shock | 18 ms, 30g, in each space direction (according to IEC 60068-2-27) |
| Degree of pollution | 2 |
| Climatic class | 3K3 (in acc. with EN 60721) |

Standards

| | |
|---|--|
| Safety of power supply units up to 1100 V (insulation distances) | EN 61558-2-16 |
| Electrical safety (of information technology equipment - Safety - Part 1) | IEC 60950-1/VDE 0805 (SELV) |
| Electronic equipment for use in electrical power installations | EN 50178/VDE 0160 (PELV) |
| SELV | IEC 60950-1 (SELV) and EN 60204-1 (PELV) |
| Safe isolation | DIN VDE 0100-410 |
| Limitation of mains harmonic currents | EN 61000-3-2 |
| Network version/undervoltage | EN 61000-4-11 |
| Information technology equipment - Safety (CB Scheme) | CB Scheme |

Approvals

| | |
|--------------|---|
| UL approvals | <ul style="list-style-type: none"> UL/C-UL listed UL 508 UL/C-UL Recognized UL 60950-1 NEC Class 2 as per UL 1310 UL/C-UL Listed ANSI/ISA-12.12.01 Class I, Division 2, Groups A, B, C, D T4 (Hazardous Location) |
| CSA | <ul style="list-style-type: none"> CAN/CSA-C22.2 No. 60950-1-07 CSA-C22.2 No. 107.1-01 CAN/CSA-C22.2 No. 213 Class I, Division 2, Groups A, B, C, D T4 (Hazardous Location) |



Current approvals/permissions for the product can be found in the download area under phoenixcontact.net/products

| Conformance with EMC Directive 2014/30/EU | | |
|--|--|---|
| Noise immunity according to EN 61000-6-2 | | |
| | EN 61000-6-2 requirement | tested |
| Electrostatic discharge EN 61000-4-2 | | |
| Housing contact discharge | 4 kV (Test Level 2) | 6 kV (Test Level 3) |
| Housing air discharge | 8 kV (Test Level 3) | 8 kV (Test Level 3) |
| Comments | Criterion B | Criterion B |
| Electromagnetic HF field EN 61000-4-3 | | |
| Frequency range | 80 MHz ... 1 GHz | 80 MHz ... 1 GHz |
| Test field strength | 10 V/m | 10 V/m |
| Frequency range | 1.4 GHz ... 2 GHz | 1 GHz ... 2 GHz |
| Test field strength | 3 V/m | 10 V/m |
| Frequency range | 2 GHz ... 2.7 GHz | 2 GHz ... 3 GHz |
| Test field strength | 1 V/m | 10 V/m |
| Comments | Criterion A | Criterion A |
| Fast transients (burst) EN 61000-4-4 | | |
| Input | 2 kV (Test Level 3 - asymmetrical) | 4 kV (Test Level 4 - asymmetrical) |
| Output | 2 kV (Test Level 3 - asymmetrical) | 2 kV (Test Level 3 - asymmetrical) |
| Comments | Criterion B | Criterion B |
| Surge current loads (surge) EN 61000-4-5 | | |
| Input | 1 kV (Test Level 2 - symmetrical) 2 kV (Test Level 3 - asymmetrical) | 2 kV (Test Level 3 - symmetrical) 4 kV (Test Level 4 - asymmetrical) |
| Output | 0.5 kV (Test Level 1 - symmetrical) 0.5 kV (Test Level 1 - asymmetrical) | 1 kV (Test Level 2 - symmetrical) 2 kV (Test Level 3 - asymmetrical) |
| Comments | Criterion B | Criterion B |
| Conducted interference EN 61000-4-6 | | |
| Frequency range | 10 kHz ... 80 MHz | 10 kHz ... 80 MHz |
| Voltage | 10 V (Test Level 3) | 10 V (Test Level 3) |
| Comments | Criterion A | Criterion A |
| Key | | |
| Criterion A | Normal operating behavior within the specified limits. | |
| Criterion B | Temporary impairment to operational behavior that is corrected by the device itself. | |

Emitted interference in acc. with EN 61000-6-3

Radio interference voltage in acc. with EN 55011

EN 55011 (EN 55022) Class B, area of application: Industry and residential

Emitted radio interference in acc. with EN 55011

EN 55011 (EN 55022) Class B, area of application: Industry and residential



All technical specifications are nominal values and refer to a room temperature of 25 °C and 70 % relative humidity at 100 m above sea level.

5 Intended use

This power supply unit features IP20 protection and is intended for installation in housing. It is suitable for use in industrial applications.

6 Structure

6.1 Device elements

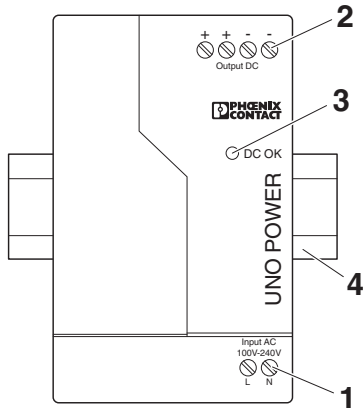


Figure 1 Device elements

1. Connection terminal block input voltage:
Input AC L/N
2. Connection terminal block output voltage:
Output DC +/-
3. LED signaling DC OK (green)
4. Integrated snap-on foot for carrier rail mounting

6.2 Block diagram

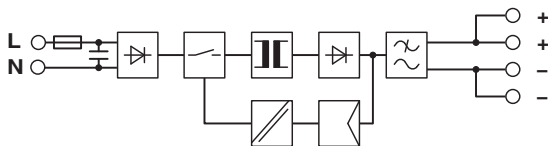


Figure 2 Block diagram

| Element | Meaning |
|---------|---|
| | Fuse |
| | Rectification |
| | Switch |
| | Transformer |
| | Filter |
| | Electrically isolated signal transmission |
| | Regulation |

7 Mounting

7.1 Unpacking

Before mounting the power supply unit, it must be checked for damage:

- Take the device out of its packaging.
- Check the device for any damage sustained during transport.
- Retain the package slip for future use.
- Dispose of packaging in an environmentally-friendly way.

7.2 Mounting the power supply unit



The power supply unit is intended for installation in a distributor box or control cabinet.



The power supply unit is designed for convection cooling. Maintain a minimum distance from other devices in order to ensure convection cooling.

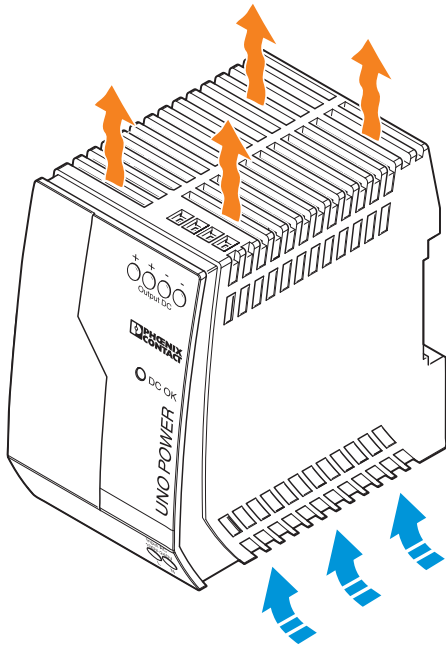


Figure 3 Convection

Please note the following before mounting the power supply unit:

- The minimum distance from other devices that must be observed in order to ensure convection cooling is: 30 mm vertically, 0 mm horizontally

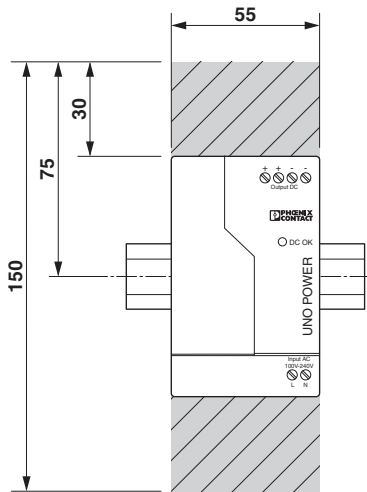


Figure 4 Device dimensions and dead surfaces

- The device dimensions

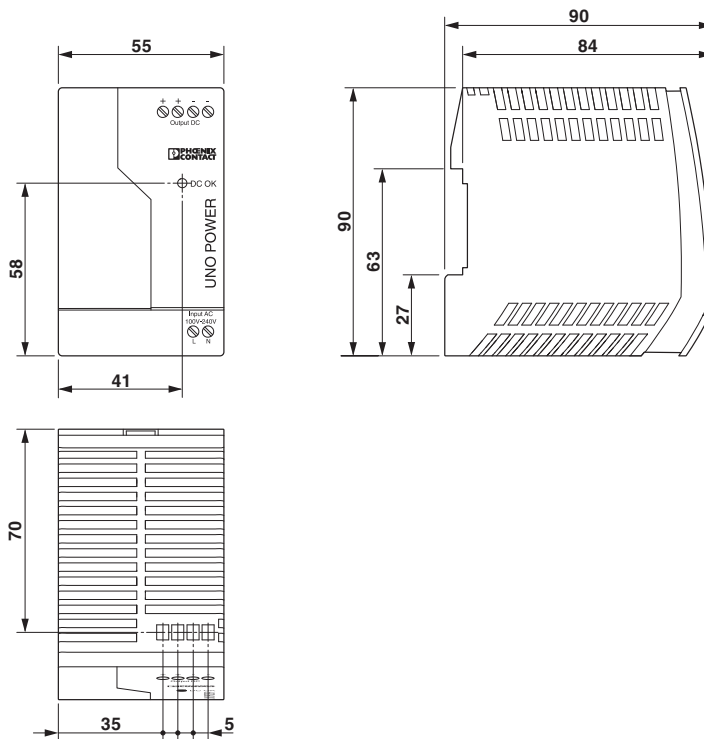


Figure 5 Device dimensions

7.3 Mounting on a DIN rail

The power supply unit can be installed on all 35 mm DIN rails according to EN 60715.

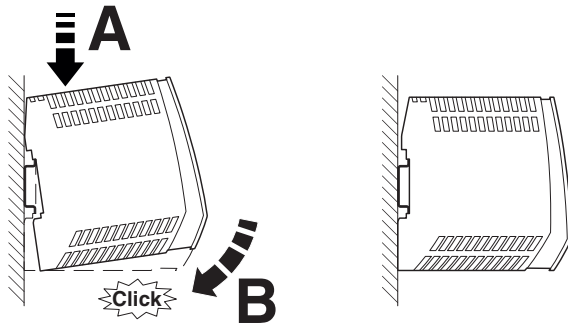


Figure 6 Mounting on a DIN rail

7.4 Normal mounting position

When installed, the input terminal blocks must be at the bottom and the output terminal blocks at the top.

If the power supply unit is installed in a mounting position other than the normal mounting position, the output power must be reduced.

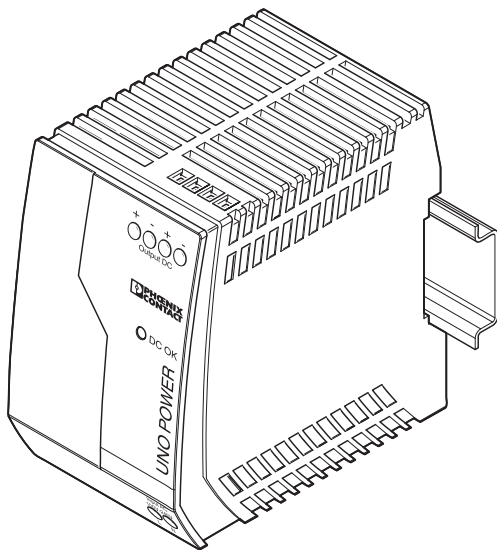


Figure 7 Normal mounting position

8 Installing the power supply unit

8.1 Safety regulations and installation notes



Before startup please ensure:

- Only skilled persons may install, start up, and operate the device.
- Observe the national safety and accident prevention regulations.



WARNING: Danger to life by electric shock!

- Never carry out work when voltage is present.
- Establish mains connection correctly and ensure protection against electric shock.
- The device must be switched off outside the power supply in accordance with the regulations of EN 60950-1 (e.g., by means of line protection on the primary side).
- Cover termination area after installation in order to avoid accidental contact with live parts (e. g., installation in control cabinet).
- Protect the device against foreign bodies penetrating it, e.g., paper clips or metal parts.



NOTE: Danger if used improperly

- The device is a built-in device.
- The IP20 degree of protection (IEC 60529/EN 60529) of the device is intended for use in a clean and dry environment. Do not subject the device to any load that exceeds the described limits.
- Observe mechanical and thermal limits.
- Ensure that the primary-side wiring and secondary-side wiring are the correct size and have sufficient fuse protection.



- It is not permissible to open or modify the device. Do not repair the device yourself but replace it with an equivalent device. Repairs may only be carried out by the manufacturer. The manufacturer is not liable for damage resulting from violation.
- The device may only be used for its intended use.

8.2 High-voltage test (HIPOT)

This protection class II power supply is subject to the Low Voltage Directive and is factory tested. During the HIPOT test (high-voltage test), the insulation between the input circuit and output circuit is tested for the prescribed electric strength values, for example. The test voltage in the high-voltage range is applied at the input and output terminal blocks of the power supply. The operating voltage used in normal operation is a lot lower than the test voltage used.



The test voltage should rise and fall in ramp form. The relevant rise and fall time of the ramp should be at least two seconds.

8.2.1 High-voltage dielectric test (dielectric strength test)

In order to protect the user, power supplies (as electric components with a direct connection to potentially hazardous voltages) are subject to more stringent safety requirements. For this reason, permanent safe electrical isolation between the hazardous input voltage and the touch-proof output voltage as safety extra-low voltage (SELV) must always be ensured.

In order to ensure permanent safe isolation of the AC input circuit and DC output circuit, high-voltage testing is performed as part of the safety approval process (type test) and manufacturing (routine test).

8.2.2 High-voltage dielectric test during the manufacturing process

During the manufacturing process for the power supply, a high-voltage test is performed as part of the dielectric test in accordance with the specifications of IEC/UL/EN 60950-1. The high-voltage test is performed with a test voltage of at least 3 kV AC / 4.3 kV DC or higher. Routine manufacturing tests are inspected regularly by a certification body.

8.2.3 High-voltage dielectric test performed by the customer

Apart from routine and type tests to guarantee electrical safety, the end user does not have to perform another high-voltage test on the power supply as an individual component. According to EN 60204-1 (Safety of machinery - Electrical equipment of machines) the power supply can be disconnected during the high-voltage test and only installed once the high-voltage test has been completed.

8.2.4 Performing high-voltage testing

If high-voltage testing of the control cabinet or the power supply as a stand-alone component is planned during final inspection and testing, the following features must be observed.

- The power supply wiring must be implemented as shown in the wiring diagram.
- The maximum permissible test voltages must not be exceeded.

Avoid unnecessary loading or damage to the power supply due to excessive test voltages.



For the relevant applicable test voltages and insulation distances, refer to the corresponding table (see technical data).

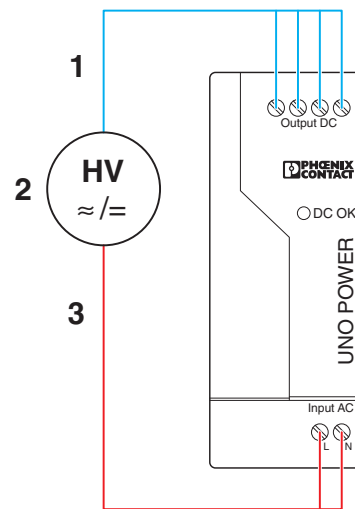


Figure 8 Potential-related wiring for the high-voltage test

Key

| No. | Designation | Color coding | Potential levels |
|-----|---------------------|--------------|------------------|
| 1 | DC output circuit | Blue | Potential 2 |
| 2 | High-voltage tester | -- | -- |
| 3 | AC input circuit | Red | Potential 1 |

8.3 Mains connection

The device can be connected to single-phase AC or three-phase power grids (TN-S, TN-C, TT, and IT) while considering the nominal input voltage.



For operation on two of the phase conductors of a three-phase system, an isolating facility for all poles must be provided.

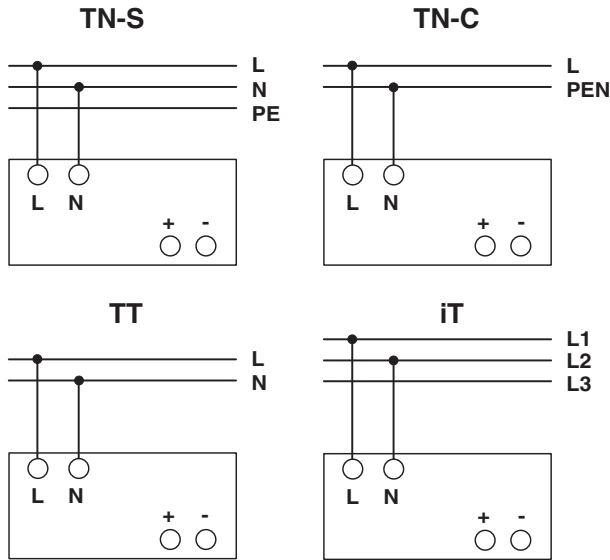


Figure 9 Network types

8.4 Device connections

Screw connection for input AC L/N

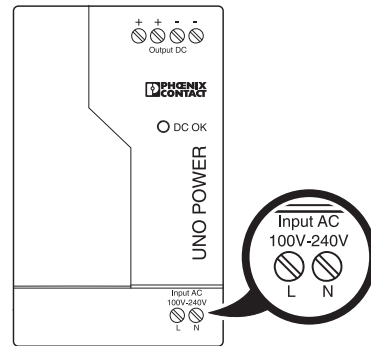


Figure 10 Screw connection for input AC L/N

Screw connection for output DC +/-

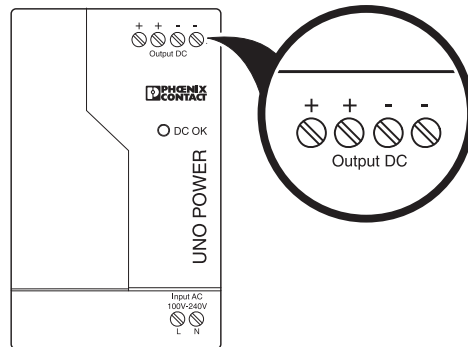


Figure 11 Screw connection for output DC +/-

8.5 Connecting cables



Use copper cables with an operating temperature $> 75^{\circ}\text{C}$ (ambient temperature $< 55^{\circ}\text{C}$) and $> 90^{\circ}\text{C}$ (ambient temperature $< 75^{\circ}\text{C}$).



The ambient temperature (operation) refers to UL 508 surrounding air temperature.

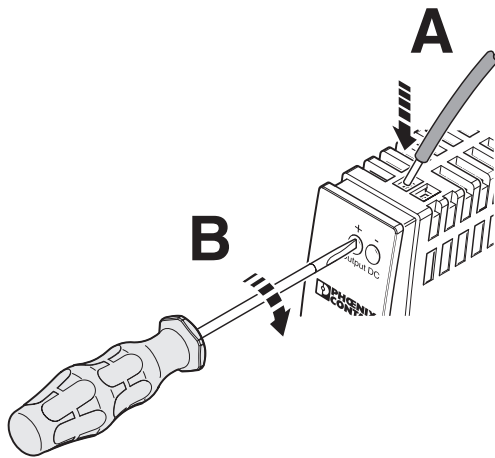


Figure 12 Connecting cables

1. Connect the supply lines to the input AC L/N connection terminal blocks.
2. Connect the output cables to the output DC +/- connection terminal blocks.

The power supply unit is operational as soon as the input terminal blocks are supplied with voltage.

9 Operating behavior of the power supply unit

9.1 Normal operation

In normal operation, the loads are supplied with a constant output voltage of 24 V DC.

9.2 Overload response

In the event of overload ($I > I_N$), the device reduces its output voltage. If the output voltage is greater than $U_N \times 0.9$, the green DC OK LED lights up. If the output voltage drops below $U_N \times 0.5$, the device shuts down. After a short time, the device attempts to start up again. If the overload has been rectified, it will start up as normal. If the overload has still not been rectified, it will shut down again and attempt to restart again (automatic restart).

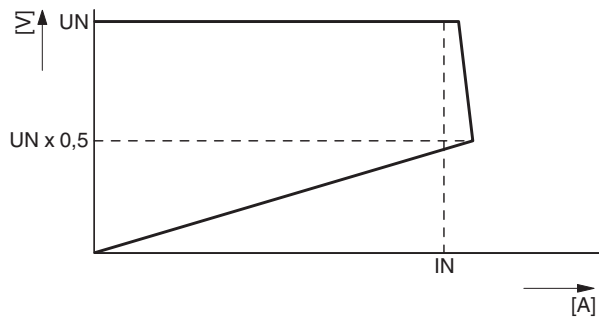


Figure 13 Output characteristic curve

9.3 Behavior at ambient temperatures $> 55^{\circ}\text{C}$

At an ambient temperature of up to 55°C , the power supply unit supplies the nominal output current. At ambient temperatures upwards of 55°C , the output power must be reduced by 2.5 % per Kelvin temperature increase (temperature-dependent derating).

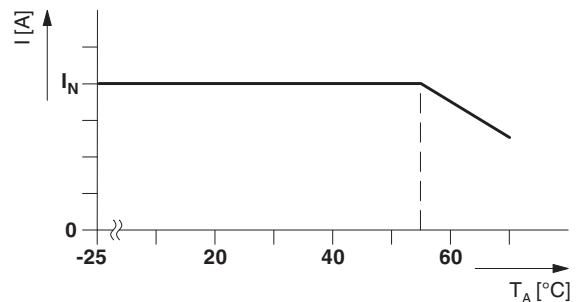


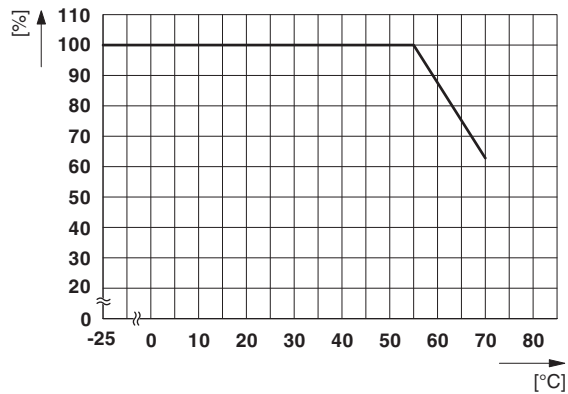
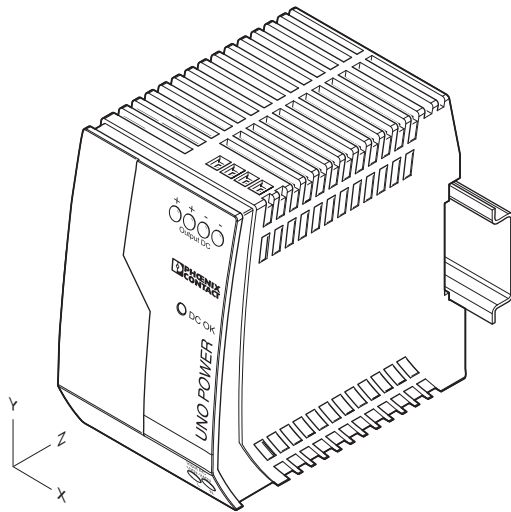
Figure 14 Temperature-dependent derating

9.4 Behavior in the case of alternative mounting positions

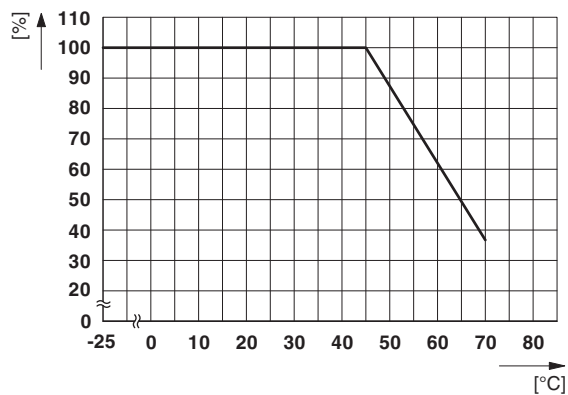
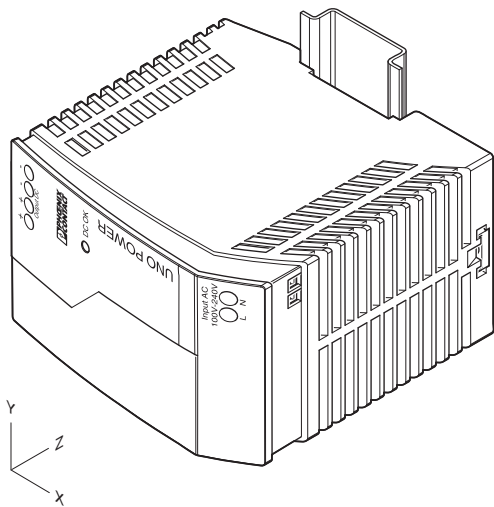
For mounting positions that differ from the normal mounting position, the output power must be reduced (position-dependent derating).

The characteristic curve can be used to determine the maximum output power to be drawn for each ambient temperature for different mounting positions.

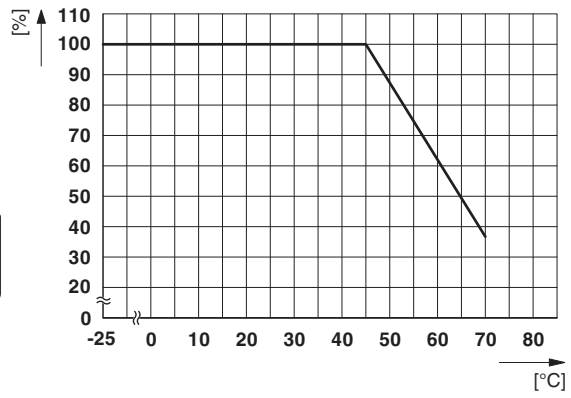
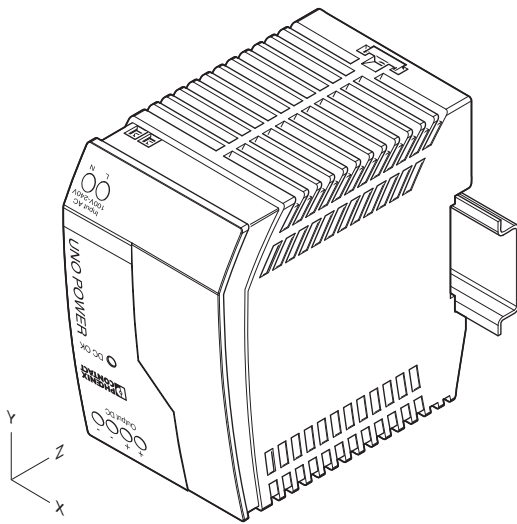
Normal mounting position



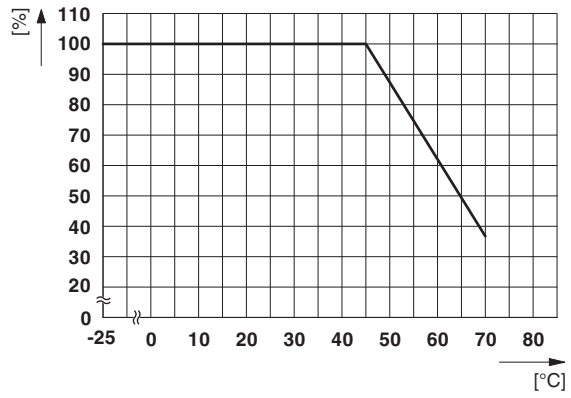
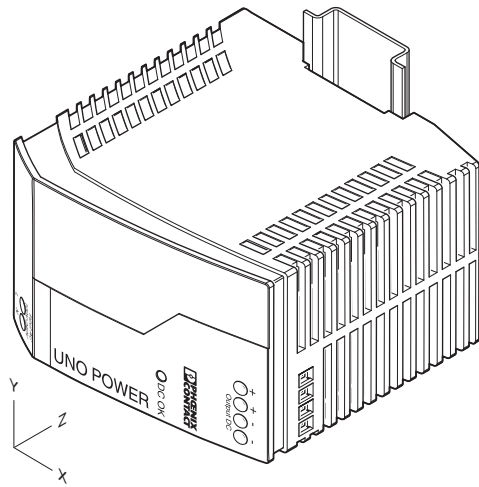
Rotated mounting position 90° X-axis



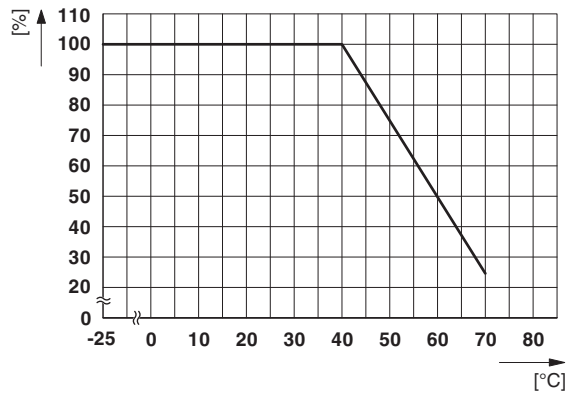
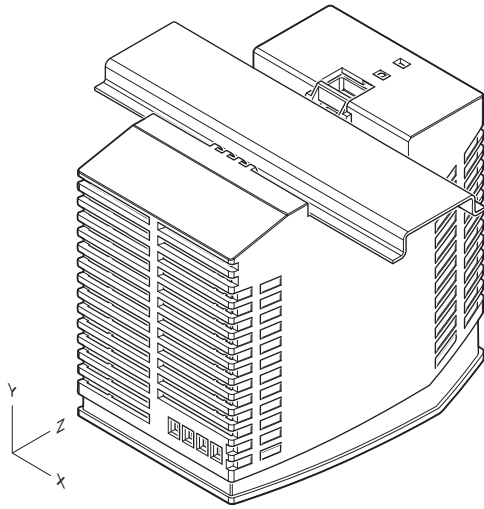
Rotated mounting position 180° X-axis



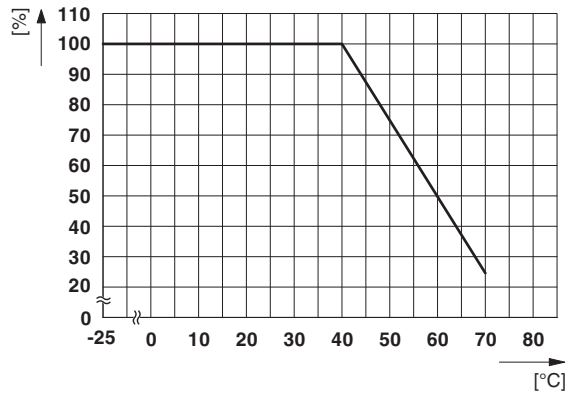
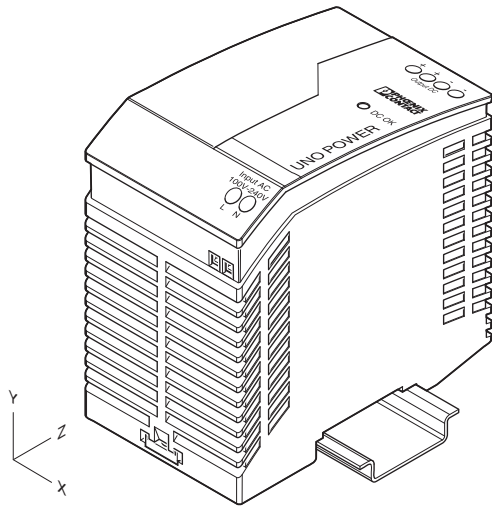
Rotated mounting position 270° X-axis



Rotated mounting position 90° Z-axis



Rotated mounting position 270° Z-axis



10 Operating the power supply unit

10.1 Function monitoring

DC OK LED

The DC OK LED is available for visual function monitoring of the power supply unit.

| | Status 1 | Status 2 |
|-------------------|---|---|
| DC OK LED | lit | off |
| Meaning | Output voltage > 21.5 V | Output voltage < 21.5 V DC, overload mode or no mains voltage |
| State description | The device is operating, output voltage and output current are OK | The device is in operation, but there is a fault on the side of the consumer; the current consumption is greater than IN or the output is short-circuited. The device is out of operation because there is no mains voltage, the fuse on the primary side has been triggered, or the device is faulty. |
| Corrective | | Remove the error at the load, use a more powerful power supply unit, connect a power supply unit of the same type parallel to the existing device, remove the short circuit, apply mains voltage, enable the fuse again or replace the power supply unit. |

10.2 Operating power supply units in parallel or in series

Do not connect two power supply units of this type in parallel or in series, because they then no longer fulfil the requirement of the NEC Class 2 American safety regulation (output power of the power supply unit < 100 W).

11 Removal

11.1 Removing the power supply unit

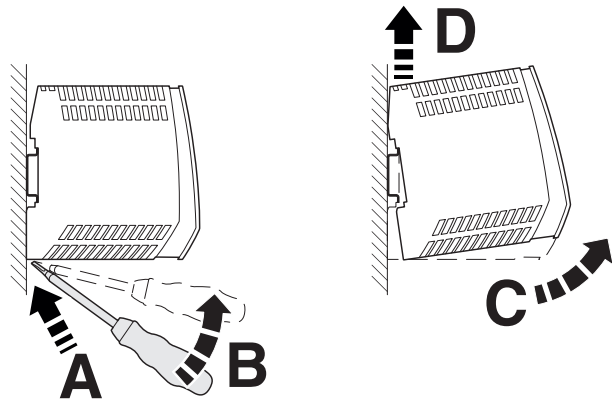


Figure 15 Removal

11.2 Notes on disposal



Do not dispose of the power supply unit with household waste. It should be disposed of in accordance with the currently applicable national regulations.