

This guide covers basic installation and configuration and is intended for first time setup or product evaluation.

Complete details can be found in the following guides at www.perle.com/downloads.

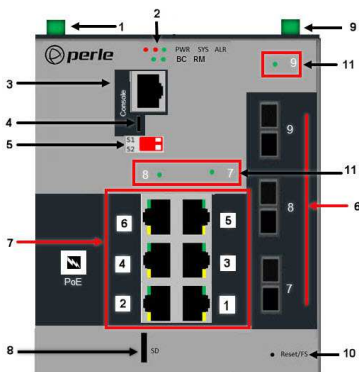
- IDS-509GPP Hardware Installation Guide
- IDS Managed Switches User Guide – Pro Feature Set
- IDS Managed Switches CLI Guide – Pro Feature Set

What’s in the box?

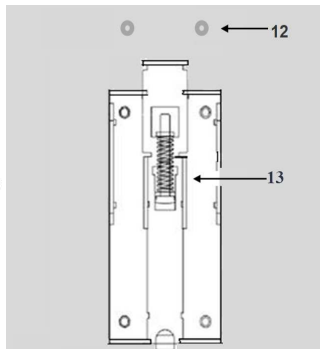
- The IDS switch
- Quick Start Guide (this document)

Hardware Overview

Front View



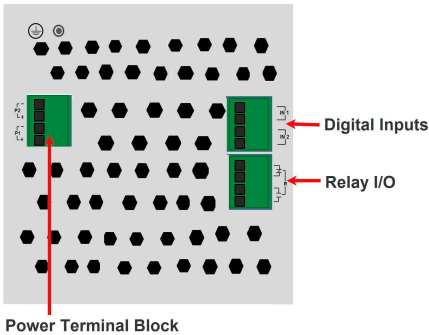
Back View



- 1 – Terminal Block for Power 1, 2
- 2 – Status LEDs
- 3 – Console Port – serial
- 4 – Console Port – USB
- 5 – DIP switches
- 6 – 1000Base-X SC/ST Fiber Ports
- 13 – DIN Rail Clip

- 7 – PoE / PoE+ Enabled Ethernet Ports
- 8 – SD Card Slot
- 9 – Digital Inputs/Relay I/O
- 10 – Reset/FS(Fast Setup)
- 11 – Fiber Status LEDs
- 12 – Wall Mount Bracket Screw Holes

Wiring the Terminal Block



Connecting the switch to ground (optional)

If your installation requires additional grounding, refer to the Hardware Installation Guide for information on connecting ground.

Connecting power to the IDS switch

You may connect both sets of power inputs to provide redundant power.

1. Ensure the power source is off prior to connection.
2. Using a pair of 12-16AWG wires, strip them both 7-8mm (5/16”).
3. Loosen the terminal block screws and connect positive (+) / negative (-) wires in the +/- terminals.
4. Tighten terminal screws (0.51Nm torque). Ensure the wires are securely fastened.
5. Re-insert the terminal block connector if removed. Turn power on at source. Check LED indicators for status.
6. Connect P2 (power source 2, beginning at Step 1.



For complete wiring instructions and for all Hazardous Locations and general safety warnings consult the Hardware Installation Guide.

Connecting PoE/PoE+ devices

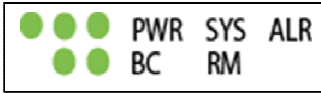
- Supports IEEE 802.3af (Type 1) and IEEE 802at-2009(Type 2) standards
- For PoE devices up to 15.4 watts per port
- For PoE+ devices up to 30 watts per port

Connecting Ethernet

Connect network or devices to Ethernet ports (1-9) using Cat5/5e Ethernet cables

LED Indicators

(For detailed information refer to the *Hardware Installation Guide*)



PWR (Power Inputs)

- **Green**—P1 and P2 Power inputs are within specifications
- **Orange**—P1 or P2 not providing power within specifications
- **Red**—Neither P1 or P2 providing power within specifications

SYS (System status)

- **Green blinking**—System booting
- **Green solid**—System operating normally
- **Green blinking fast**—Fast Setup mode activated
- **Red**—Hardware fault or firmware load error.

Ethernet Port Link / Speed (Green and Yellow LEDs)

- **1000 Mbps** Green on, Yellow off
- **100 Mbps** Green on, Yellow on
- **10 Mbps** Green off, Yellow on

Note: Flashing indicates activity

Note: Alr (Alarm), BC (Backup Coupling), RM (Ring Master) see *Hardware Installation Guide*

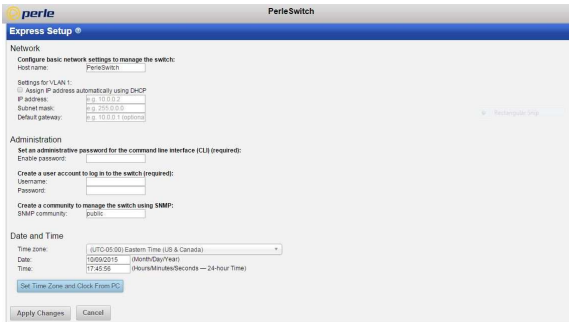
Fast Setup

Fast Setup provides a simple method of doing an initial setup from a PC. It only requires a PC Ethernet connection and a web browser. Other methods to configure the IDS Switch can be found in the IDS Switch User's guide.

1. Your PC must be set to obtain an IP address automatically using DHCP (See Control Panel ->Network and Sharing Center -> Change adapter settings ->Local Area Connection Properties ->Internet Protocol Version (TCP/IPv4) ->Properties ->Select Obtain an IP address automatically).
2. Press and hold the reset button (9) on the switch for 4 seconds and then release it. Since the reset button is recessed in the switch, a small tool such as a paper clip will be required. The yellow and green LEDs on an unused RJ-45 connector will flash rapidly to indicate where to plug in the Ethernet cable from your PC.
3. Using a web browser, enter to a well known webpage such as www.google.com, you will be automatically directed to the IDS Get Started screen.



Note: While in Fast setup mode the IDS switch will use an IP address of 169.254.0.1. If step 3 fails to direct the browser properly, then enter the switch's IP address into the browser's address bar.



4. Once connected, fill in the required fields, apply changes to save and exit. The configuration changes will be immediately applied to the switch.
5. The PC can now be reset to its normal network address and the switch can be accessed using the conventional IP addressing.

© 2017 Perle Systems Limited. All rights reserved.